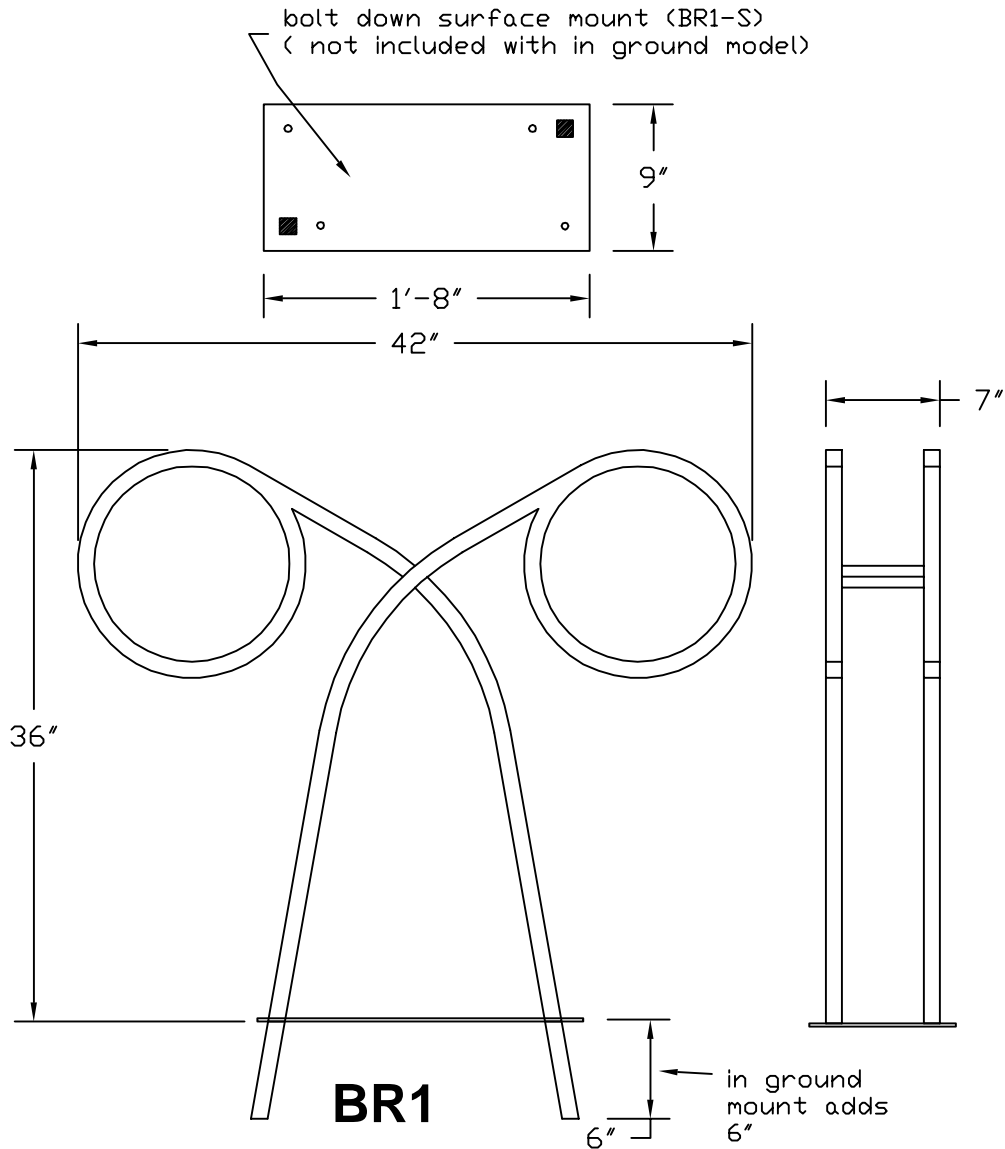


# OASIS



2 BIKE PER UNIT CAPACITY  
MULTI UNIT MODULES AVAILABLE  
SPECIFY SURFACE (BR1-S) OR BELOW GROUND MOUNT  
( anchor bolts for surface mount to be supplied and selected by  
installer. Four 7/16" holes provided)  
1" SOLID STEEL BAR CONSTRUCTION  
BLACK POWDER COAT STANDARD  
GALVANIZING AND OTHER COLORS AVAILABLE

**IRONSMITH BIKE RACK**  
FOR LANDSCAPE ARCHITECTURE

(800) 338-4766