

9000F-X-5  
Pedestrian Trench  
Grate Frame Detail #5

Installation  
Cast in place option

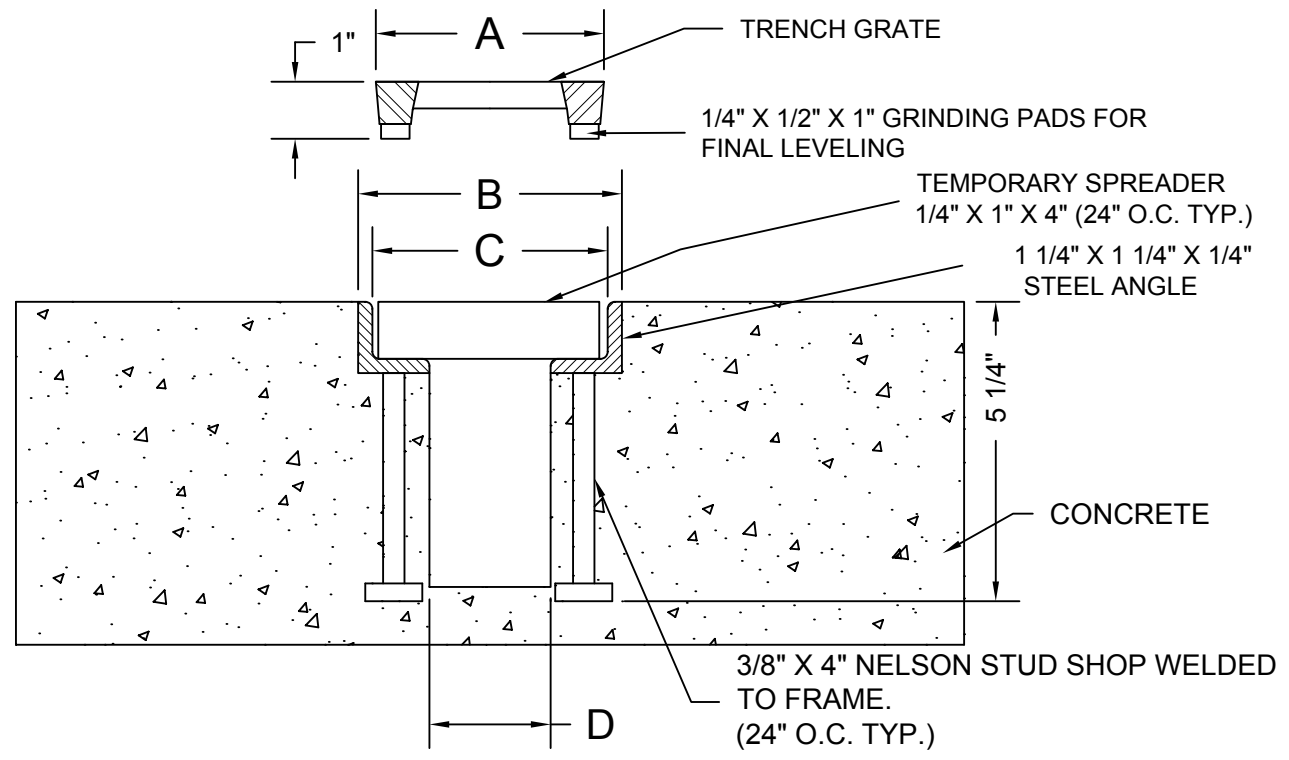
Finish Options:  
No Finish or  
Galvanized or  
Powder Coated.

Specify finish and color  
when ordering.

Temporary spreader  
bars are tack welded to  
frames and must be  
removed after frames  
are set and concrete  
has cured.

Frames are ordered by  
the Linear Foot.  
Frames are made in  
sections such that no  
length is greater than  
10ft. or shorter than  
24".

Please specify if  
multiple run lengths  
are required to avoid  
field modification.



A		B		C		D		Catalog#
Standard	Metric	Standard	Metric	Standard	Metric	Standard	Metric	
4"	102mm	4 5/8"	117mm	4 1/8"	105mm	2 1/8"	54mm	9000F-4-5
6"	152mm	6 5/8"	168mm	6 1/8"	156mm	4 1/8"	105mm	9000F-6-5
8"	203mm	8 5/8"	219mm	8 1/8"	206mm	6 1/8"	156mm	9000F-8-5
12"	305mm	12 5/8"	321mm	12 1/8"	308mm	10 1/8"	257mm	9000F-12-5
18"	457mm	18 5/8"	473mm	18 1/8"	460mm	16 1/8"	410mm	9000F-18-5
Frame widths not listed follow the same pattern								

This drawing embodies a confidential proprietary design of IRONSMITH, INC. Palm Desert, Ca. All design, manufacturing, reproduction, use, sale, and other rights regarding the same are expressly reserved. This drawing is submitted under confidential relationship for a specific purpose and the recipient agrees by accepting this drawing not to supply or disclose any information regarding it to any unauthorized person or to incorporate any special feature peculiar to this design in other projects. The information in this drawing may be covered completely or in part by patents pending.

**IRONSMITH**  
41-701 Corporate Way #3  
Palm Desert, CA 92260  
(800) 338-4766  
(760) 776-5080 Fax