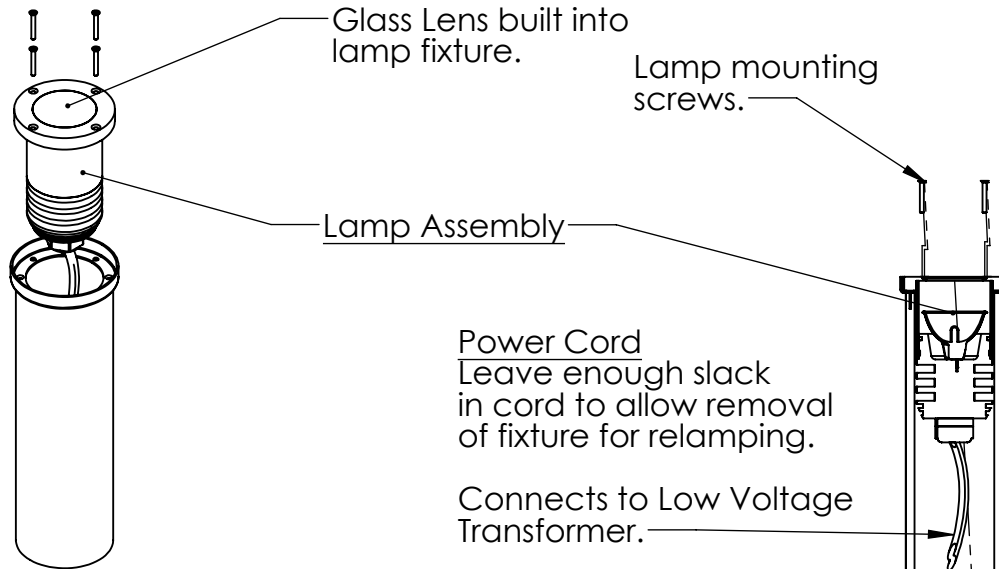


TGL-2  
Low Voltage Tree  
Grate Up Light.



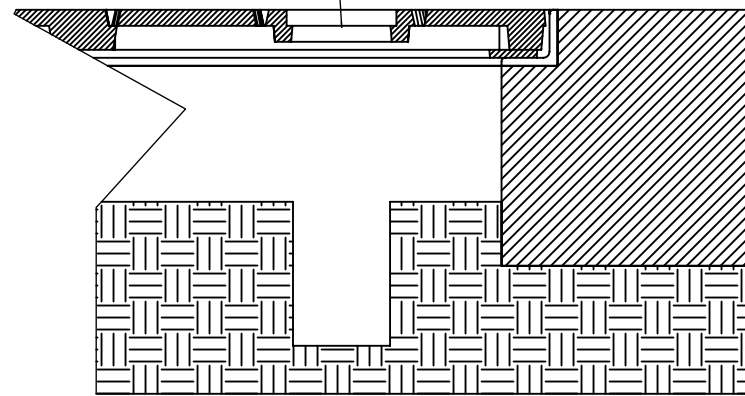
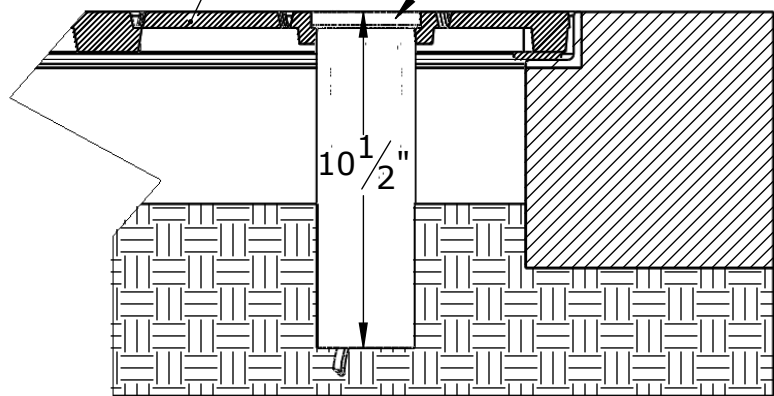
Lamp is flush mounted to tree grate. No provision for aiming the lamp assembly.

Tree Grate

Power Cord  
Leave enough slack in cord to allow removal of fixture for relamping.

Connects to Low Voltage Transformer.

Outer Shield  
Floating shield below tree grate. Prevents earth buildup around lamp assembly.



Cover is part of the lamp assembly.

Lamp assembly with shield are shipped separately.

Outer shield must be used to keep earth away from lamp and prevent overheating.

If shield is to be buried place a bed of gravel at the shield base sufficient to keep the lightwell clear of standing water and to help minimise intrusion of dirt.

Connect fixtures to appropriate 12v transformer of your choice. (not supplied)

Note: TGL2 Lamp assembly is flush mounted to grate, there is no provision to adjust lamp angle. Spot or Flood bulbs are available to change beam spread.

DO NOT SCALE DRAWING

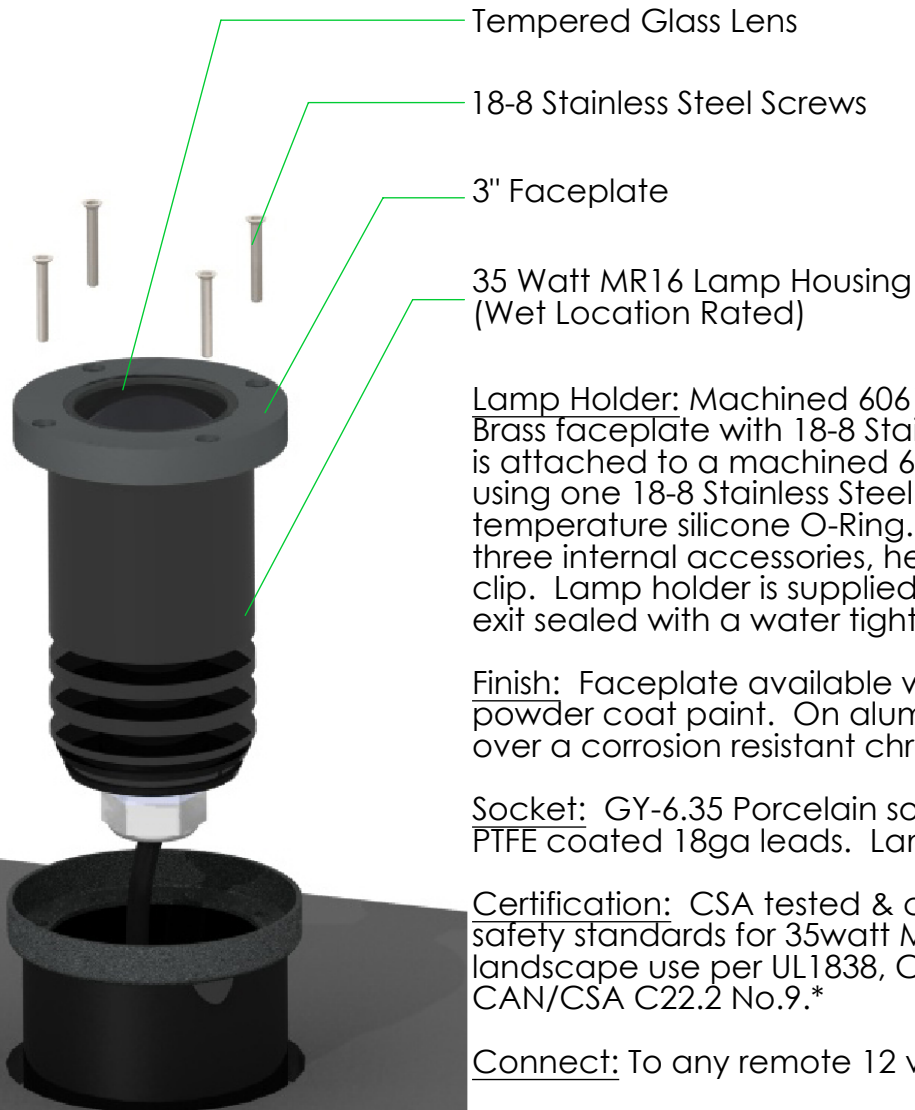
**IRONSMITH**  
41-701 Corporate Way #3  
Palm Desert, CA 92260  
(800) 338-4766  
(760) 776-5080 Fax

**PROPRIETARY AND CONFIDENTIAL**

This drawing embodies a confidential design of IRONSMITH, INC. Palm Desert, CA. All design, manufacturing, reproduction, use, sale, and other rights regarding the same are expressly reserved. This drawing is submitted under confidential relationship for a specific purpose and the recipient agrees by accepting this drawing not to supply or disclose any information regarding it to any unauthorized person or to incorporate any special feature peculiar to this design in other projects. The information in this drawing may be covered completely or in part by patents pending.

TGL2

Tree Grate Uplight



- Tempered Glass Lens
- 18-8 Stainless Steel Screws
- 3" Faceplate
- 35 Watt MR16 Lamp Housing (Wet Location Rated)

Lamp Holder: Machined 6061-T6 aluminum housing or C36000 Brass faceplate with 18-8 Stainless Steel hardware. Faceplate is attached to a machined 6061-T6, black anodized body using one 18-8 Stainless Steel set screw and seal with high temperature silicone O-Ring. The faceplate accepts up to three internal accessories, held in place by a stainless steel clip. Lamp holder is supplied with 6' of 16-2 cable. Cable exit sealed with a water tight strain relief fitting.

Finish: Faceplate available with optional TGIC thermo set powder coat paint. On aluminum model, finish is applied over a corrosion resistant chromate conversion coating.

Socket: GY-6.35 Porcelain socket with 600V, 250 degree C, PTFE coated 18ga leads. Lamp: Bi-Pin MR16 up to 35 watts.

Certification: CSA tested & certified to US and Canada safety standards for 35watt MR16 Lamp for wet location landscape use per UL1838, CSA TILB-58B, CAN/CSA C22.2 No.9.\*

Connect: To any remote 12 volt remote transformer system.

\*Not for use underwater or in fountains.

DO NOT SCALE DRAWING

**IRONSMITH**  
41-701 Corporate Way #3  
Palm Desert, CA 92260  
(800) 338-4766  
(760) 776-5080 Fax

**PROPRIETARY AND CONFIDENTIAL**

This drawing embodies a confidential design of IRONSMITH, INC. Palm Desert, CA. All design, manufacturing, reproduction, use, sale, and other rights regarding the same are expressly reserved. This drawing is submitted under confidential relationship for a specific purpose and the recipient agrees by accepting this drawing not to supply or disclose any information regarding it to any unauthorized person or to incorporate any special feature peculiar to this design in other projects. The information in this drawing may be covered completely or in part by patents pending.

# INSTRUCTIONS PERTAINING TO RISK OF FIRE, OR INJURY TO PERSONS WARNING!

To reduce the risk of FIRE OR INJURY TO PERSONS

1. Do not touch luminaire while lamp is on. Turn off/unplug and allow to cool before relamping.
2. Lamp gets HOT quickly! Contact only switch/plug when turning on.
3. Do not touch hot lens, faceplate, body, or cap.
4. Keep lamp away from materials that may burn.
5. Do not touch lamp at any time. Use a soft cloth. Oil from your skin may damage lamp.
6. Do not operate the luminaire with damaged or missing parts.
7. Do not disassemble lamp housing beyond cap removal to facilitate relamping.
8. Remove any debris accumulated on the faceplate, housing, or in the body fins.
9. Do not install luminaire within 10ft of pool, spa, or fountain.
10. Have fixture installed in accordance with all applicable codes and standards by a person familiar with the construction and operation of the fixture and the hazards involved.
11. Use only cable rated for low voltage. Cable buried more than 6" must be suitable for direct burial.
12. Use only lamp rated for this fixture. 12 Volt, 35 watt maximum MR16.

## SAVE THESE INSTRUCTIONS

### Installation:

1. If preinstalled, remove lightwell cover from tree grate.
2. With tree grate installed, excavate under light opening to depth of shield (about 8" below grade) enough to allow shield to drop fully below grate.
3. In poor draining soils, excavate an additional 3" below bottom of shield and fill space to bottom of shield with gravel for drainage.
4. Connect Supply cable to 16-2 cable on fixture. Allow enough cable length to permit complete removal of assembly from lightwell for relamping. Ensure power being supplied is appropriate to fixture.
5. Insert lamp assembly into tree grate and attach with provided hardware.

### Re-Lamping:

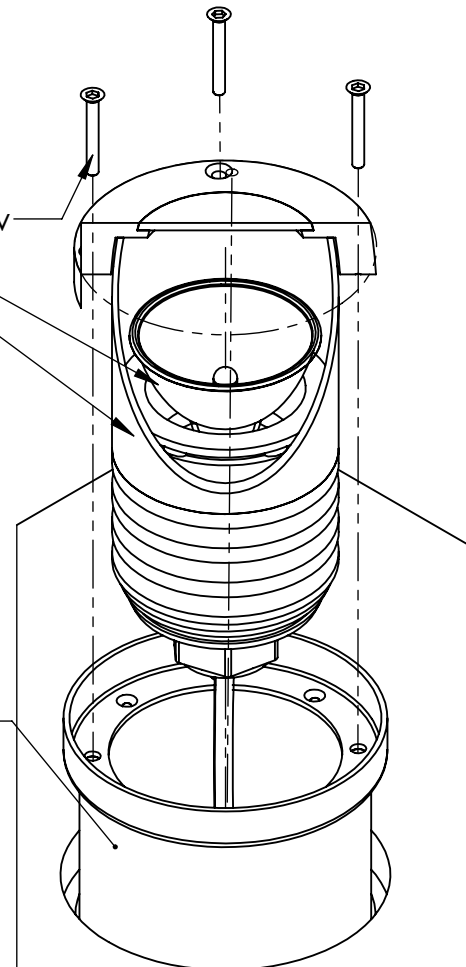
1. Remove power from fixture and let cool before touching.
2. Remove hardware and lift lamp assembly from tree grate.
3. Loosen set screw on lamp housing. Do NOT remove set screw!
4. Remove lamp housing top by slowly twisting and pulling to reduce risk of damage to O-Ring.
5. Pull lamp straight out. Caution! Lamp may still be hot! Be sure lamp has cooled before touching.
7. Push new lamp straight in. Be sure pins are properly aligned. Be sure correct lamp wattage is used. See inside lamp housing for lamp ratings.
8. Install lamp housing top by slowly twisting and pushing. Due to tight O-Ring seal you will notice resistance as air pressure builds up.
9. Seat top fully and tighten set screw until it bottoms out. Do NOT over tighten set screw! Distortion of the housing can allow moisture in causing fixture failure.
10. Remount Lamp Assembly in tree grate.

18-8 Stainless Screw

MR16 Lamp

Lamp Holder

Shield



TGL2  
Installation  
Instructions

DO NOT SCALE DRAWING

**IRONSMITH**

41-701 Corporate Way #3  
Palm Desert, CA 92260  
(800) 338-4766  
(760) 776-5080 Fax

#### PROPRIETARY AND CONFIDENTIAL

This drawing embodies a confidential design of IRONSMITH, INC. Palm Desert, CA. All design, manufacturing, reproduction, use, sale, and other rights regarding the same are expressly reserved. This drawing is submitted under confidential relationship for a specific purpose and the recipient agrees by accepting this drawing not to supply or disclose any information regarding it to any unauthorized person or to incorporate any special feature peculiar to this design in other projects. The information in this drawing may be covered completely or in part by patents pending.